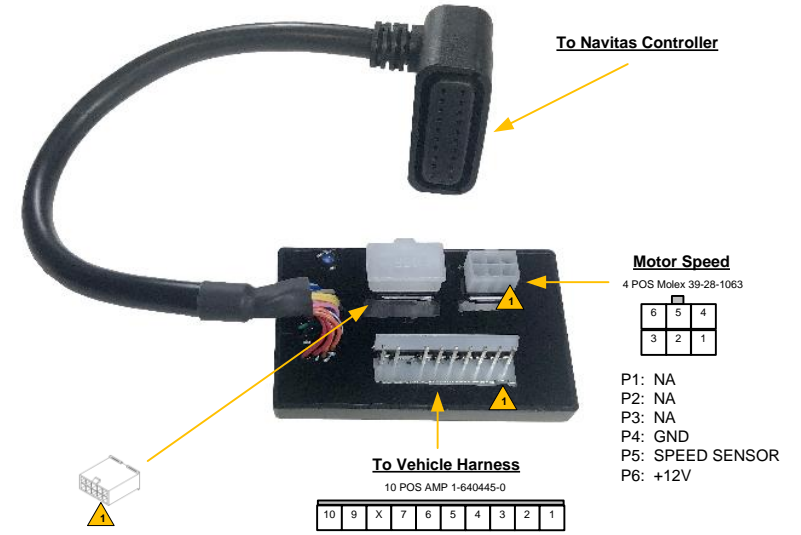
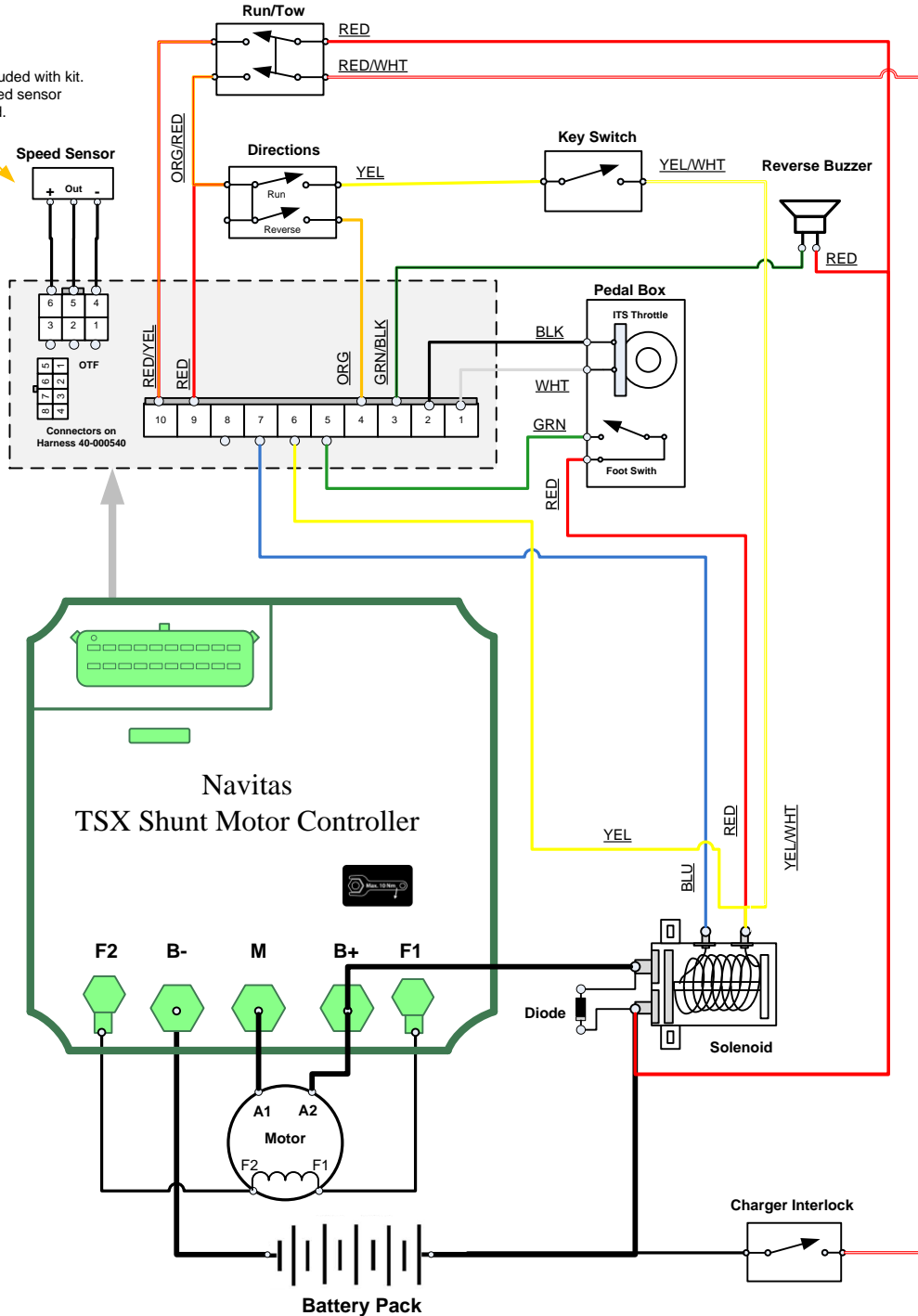


Wiring Diagram - EZGO DCS 36V

Using TSX Harness Navitas PN: 40-000540

Note: Not included with kit.
Separate speed sensor
cable required.

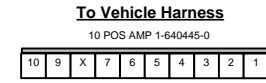


Motor Speed

4 POS Molex 39-28-1063

6	5	4	
3	2	1	

- P1: NA
- P2: NA
- P3: NA
- P4: GND
- P5: SPEED SENSOR
- P6: +12V



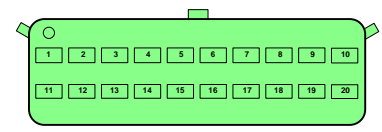
- P1: GND
- P2: THROTTLE IN
- P3: REVERSE BUZZER
- P4: REVERSE IN
- P5: FOOT SWITCH
- P6: KEY IN
- P7: MAIN SOLENOID
- P8: NA
- P9: CHARGER INTERLOCK
- P10: LOGIC POWER

8 POS Molex
39-01-3089 Housing
39-00-0040 Pin

On The Fly Programmer

- P1: +12V
- P2: OTF REGEN
- P3: OTF SPEED
- P4: OTF ACCELERATION
- P5: +5V
- P6: OTF LOCK
- P7: REVERSE BUZZER
- P8: GND

Navitas TSX DC Shunt Controller



- P1: OTF LOCK
- P2: XCAN_N
- P3: XCAN_P
- P4: SPEED SENSOR SIGNAL
- P5: CHARGER INTERLOCK
- P6: REVERSE IN
- P7: FORWARD IN
- P8: KEY
- P9: GND
- P10: LOGIC POWER
- P11: +5V EXT
- P12: OTF ACCELERATION
- P13: OTF SPEED
- P14: OTF REGEN
- P15: THROTTLE IN
- P16: +12V POLY
- P17: FOOT SWITCH
- P18: GND POLY
- P19: REVERSE BUZZER
- P20: MAIN SOLENOID

Revision History

- 20210308 Original
- 20210818 Separated yellow and red wires to solenoid