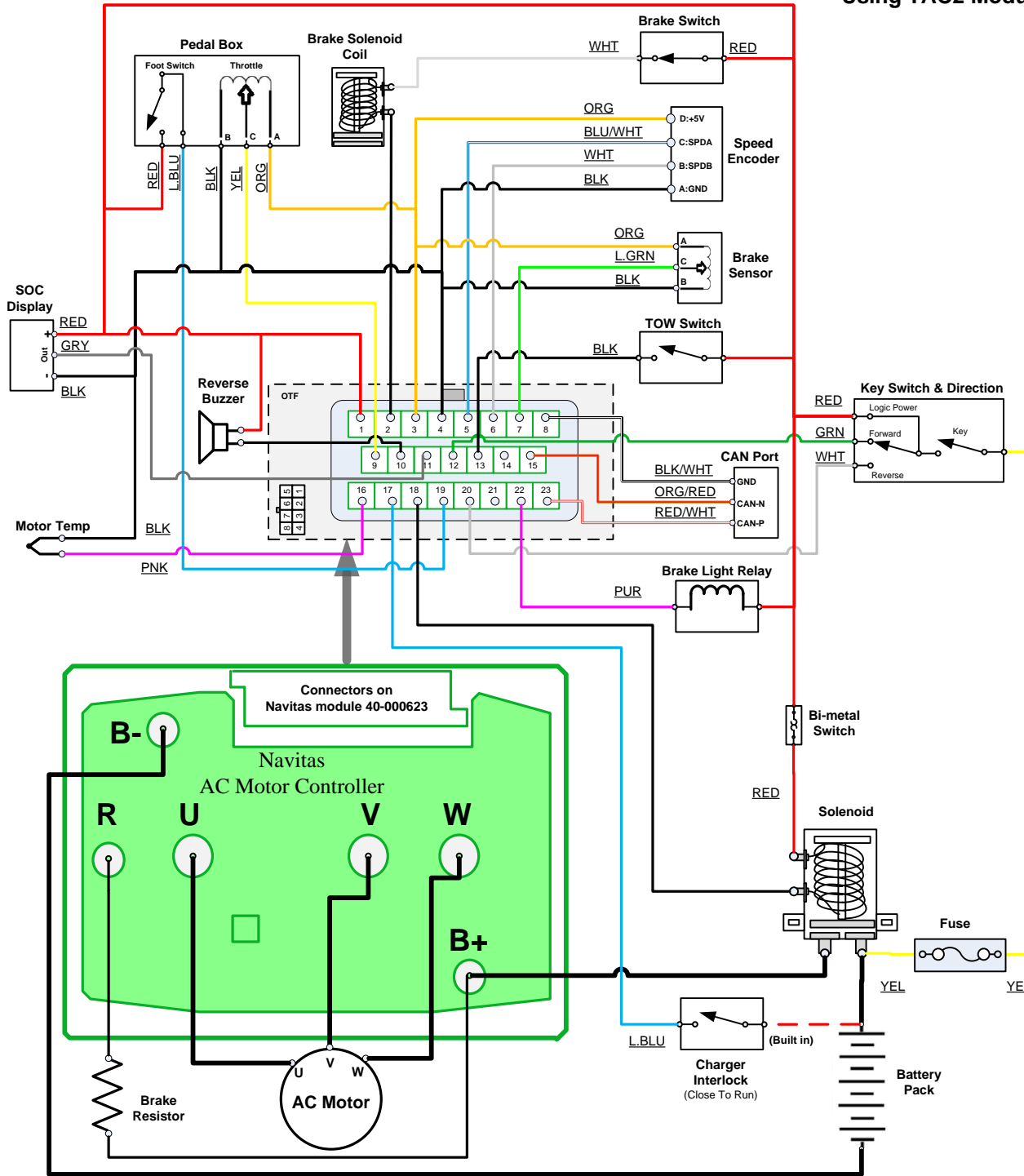
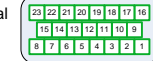


Using TAC2 Module PN: 40-000623



23-POS Ampseal 776228-1



- P1: Key In / Logic Power In
- P2: Brake Solenoid Out
- P3: +5V PF
- P4: AGND
- P5: SPD A In
- P6: SPD B In
- P7: Brake In
- P8: CAN GND
- P9: Throttle In
- P10: Reverse Buzzer Out
- P11: SOC Display Out
- P12: Forward In
- P13: Tow Switch In
- P14: NA
- P15: CAN NEG
- P16: Motor Temperature In
- P17: Charger Interlock In
- P18: MAIN Solenoid Out
- P19: Foot Switch In
- P20: Reverse In
- P21: Resistor Control (Not Used)
- P22: Brake Light Relay Release
- P23: CAN POS

- P1: RED
- P2: BLK
- P3: ORG
- P4: BLK
- P5: BLU/WHT
- P6: WHT
- P7: L.GRN
- P8: BLK/WHT
- P9: YEL
- P10: BLK
- P11: GRY
- P12: GRN
- P13: BLK
- P14: GRY
- P15: ORG/RED
- P16: PNK
- P17: L.BLU
- P18: BLK
- P19: L.BLU
- P20: WHT
- P21: PUR/WHT
- P22: PUR
- P23: RED/WHT

On The Fly Programmer



8 POS Molex 39-01-3089 Housing 39-00-0040 Pin



- P1: +12V POLY
- P2: OTF REGEN
- P3: OTF SPEED
- P4: OTF ACCELERATION
- P5: +5V EXT
- P6: OTF LOOCK
- P7: REVERSE BUZZER
- P8: GND POLY

Mating 23 POS TE 770680-1



Revision History

20210415 Original